



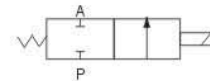
**2V系列二位二通电磁阀**  
**2V Series 2/2 Solenoid Valve**



订购码  
Ordering code

<b>2V</b>	<b>025</b>	-	<b>06</b>	-	<b>AC110V</b>
<p><b>规格</b> 2V:二位二通电磁阀 <b>Specification</b> 2V:2/2 way solenoid valve</p>	<p><b>流量孔径</b> <b>Aperture of flow rate</b> 025:2.5mm 130:13mm 250:25mm</p>		<p><b>接管口径</b> <b>Port size</b> 06: 1/8" 08: 1/4" 10: 3/8" 15: 1/2" 20: 3/4" 25: 1"</p>		<p><b>标准电压</b> <b>Standard voltage</b> DC12V DC24V AC24V 50Hz/60Hz AC110V 50Hz/60Hz AC220V 50Hz/60Hz AC380V 50Hz/60Hz</p>

符号  
Symbol



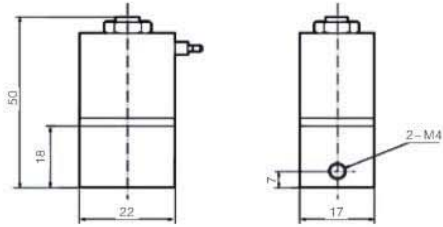
规格  
Specifications

型号 Model	2V010-M4	2V025-06	2V025-08	2V130-10	2V130-15	2V250-20	2V250-25
工作介质 Fluid	空气、水、油 Air, Water, Oil						
动作方式 Acting type	直动式 Direct drive type			先导式 pilot type			
型式 Type	常闭型 Normal close-type						
流量孔径mm Aperture of flow rate	1.0	2.5		13			25
CV值 CV value	0.10	0.23		6.2			23
接管口径 Port size	M4×0.7	G1/8"	G1/4"	G3/8"	G1/2"	G3/4"	G1"
使用流体粘滞度 Operation fluid viscosity	20 CST以下 (Below)						
使用压力 Working pressure	空气、水、油 Air, Water, Oil: 0~1.0MPa			空气、水、油 Air, Water, Oil: 0.05~0.7MPa			
最大耐压力 Max. Pressure resistance	1.2MPa	1.5MPa		1.0MPa			
工作温度范围 Working temperature range	-10~80°C						
使用电压范围 Voltage range	±10%						
保护等级 Protect class	IP65						
耗电量 Power consumption	AC: 7VA/60Hz, 9VA/50Hz; DC: 6W						
绝缘性 Insulation	F级/F Class						
本体材质 Material of body	铝或铜 Aluminum or Brass			黄铜 Brass			
油封材质 Material of oil seal	NBR或 ( or ) VITON			NBR			
最短励磁时间 Shortest activate time	0.05秒/Second						

\*特殊电压及特殊规格请与厂房接洽  
\*Please contact Factory for special voltage and Specification

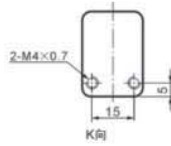
# 尺寸 Dimensions

2V010-M4



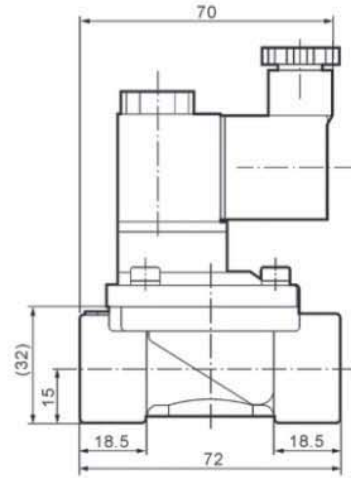
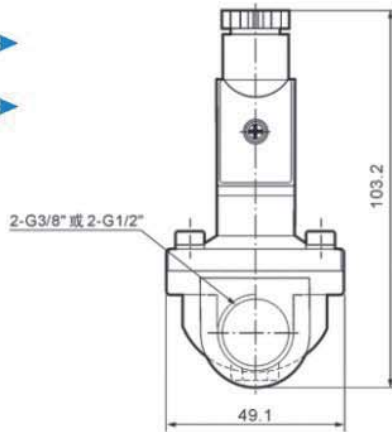
2V025-06

2V025-08



2V130-10

2V130-15



2V250-20

2V250-20

