



**2L系列二位二通电磁阀**  
**2L Series 2/2 Solenoid Valve**



**订购码**  
Ordering code

**2L**

**规格代码**  
2L:蒸汽型二位二通电磁阀  
**Specification code**  
2W:Steam type 2/2 way solenoid valve

**170**

**流量孔径**  
Aperture of flow rate  
170:17mm  
200:22mm  
300:30mm  
500:50mm

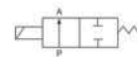
**15**

**接管口径**  
Port size  
10:G3/8"  
15:G1/4"  
20:G3/4"  
25:G1"  
35:G1 1/4"  
40:G1 1/2"  
50:G2"

**AC110V**

**标准电压**  
Standard voltage  
DC12V  
DC24V  
AC24V 50Hz/60Hz  
AC36V 50Hz/60Hz  
AC110V 50Hz/60Hz  
AC220V 50Hz/60Hz  
AC380V 50Hz/60Hz

**符号**  
Symbol



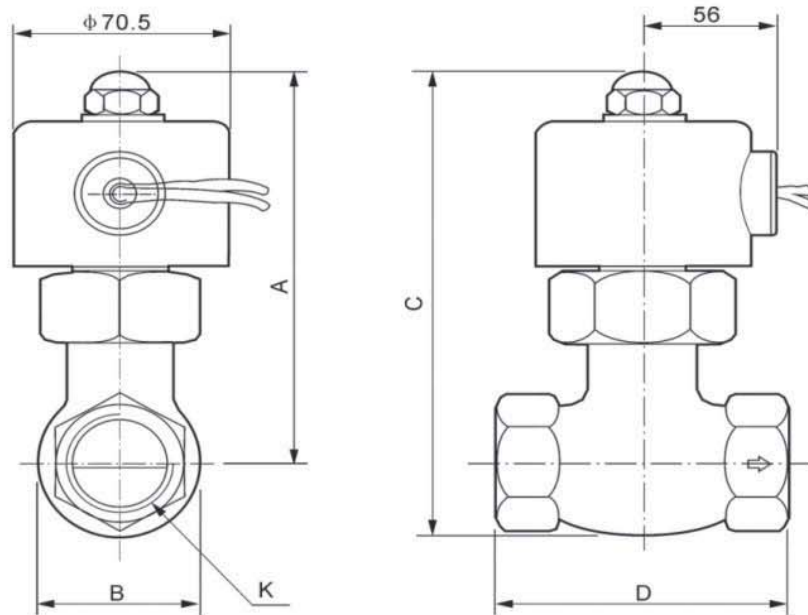
**规格**  
Specifications

型号 Model	2L170-10	2L170-15	2L170-20	2L200-25	2L300-35	2L300-40	2L500-50
工作介质 Fluid	空气、水、蒸汽 Air, Water, Steam						
动作方式 Acting type	先导式 pilot type						
型式 Type	常闭型 Normal close-type						
流量孔径mm Aperture of flow rate	17		22		30		50
CV值 CV value	4.8		12		20		48
接管口径 Port size	G3/8"	G1/2"	G3/4"	G1"	G1 1/4"	G1 1/2"	G2"
使用流体粘滞度 Operation fluid viscosity	20 CST以下 (Below)						
使用压力 Working pressure	0.1~1.5MPa						
最大耐压力 Max. Pressure resisance	2.25MPa						
工作温度范围 Working temperature range	-5 ~ +80°C						
使用电压范围 Voltage range	± 10%						
本体材质 Meterial of boby	黄铜 Brass						
油封材质 Meterial of oil seal	聚四氟乙烯 Teflon						

\*特殊电压及特殊规格请与厂房接洽  
\*Please contact Factory for special voltage and Specification

## 2L系列二位二通电磁阀 2L Series 2/2 Solenoid Valve

### 尺寸 Dimensions



型号 Model	A	B	C	D	K
2L170-10	125	42	146	82	G3/8"
2L170-15	125	42	146	82	G1/2"
2L170-20	125	42	146	82	G3/4"
2L200-25	136	52	162	90.5	G1"
2L300-35	148	74	185	111	G1 1/4"
2L300-40	148	74	185	111	G1 1/2"
2L500-50	176	86	223	163	G2"