



## 4F、FV系列脚踏阀 4F、FV Series Foot Valve



### 订购码 Ordering code

<b>4F</b>	<b>2</b>	<b>10</b>	-	<b>08</b>	<b>L</b>		<b>FV</b>	-	<b>320</b>
<b>规格代码</b> 4F:二位五通脚踏阀 <b>Specification code</b> 4F:5/2 way foot valve	<b>系列号</b> 2:200系列 <b>series code</b> 2:200 series	<b>位置数</b> 10:单头双位置 <b>Number of places</b> 10: Single-head Double-position		<b>接管口径</b> <b>Port size</b> 8:G1/4	<b>形式代号</b> 空白:标准型 L:附锁型 G:附罩型 LG:付锁及罩型 <b>Type</b> Blank: Standard type L: With lock G: With cover LG: With lock and cover		<b>规格代码</b> 脚踏阀 <b>Specification code</b> Foot valve		<b>位置数</b> 320:二位三通 420:二位四通 <b>Number of places</b> 320:3/2 way 420:4/2 way

### 规格 Specifications

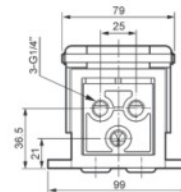
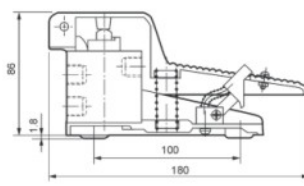
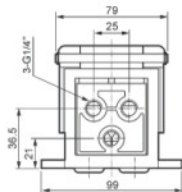
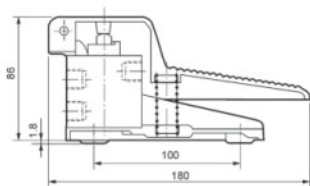
型号 Model	4F210-08	4F210-08L	4F210-08G	4F210-08LG	FV420	FV320	4FM210-08	4FM210-08L
工作介质 Working medium	空气(经40μm滤网过滤)				Air (40Micron Filtered)			
位通数 Number of places	二位五通 5/2 way				二位四通 4/2 way	二位三通 3/2 way	二位四通 4/2 way	
动作方式 Acting type	直动式 / Direct Drive-Type							
接管口径 Port size	进气=排气=排气=G1/4" Air Inlet=Air Outlet=Exhaust=G1/4"				进气=排气=G1/4" 排气=G1/8" Air Inlet=Air Outlet=G1/4" Exhaust=G1/8"			
工作压力范围 Mpa Working pressure range	0~0.8MPa							
使用温度范围 Operating temperature range	0~60°C							

### 4F系列尺寸 4F Series Dimensions

4F210-08

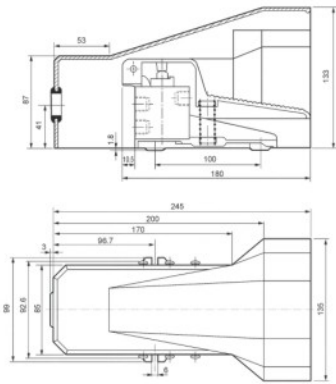


4F210-08L

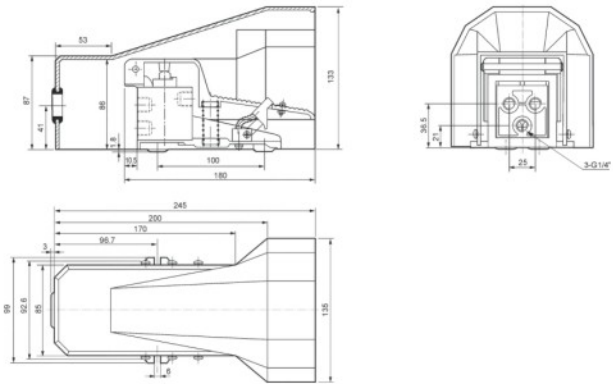


### 4F系列尺寸 4F Series Dimensions

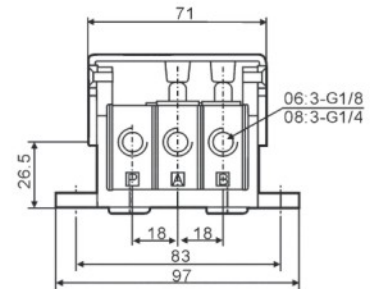
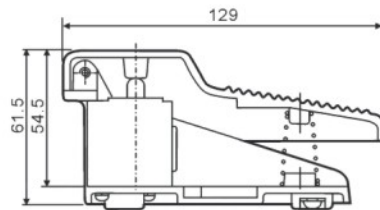
4F210-08G



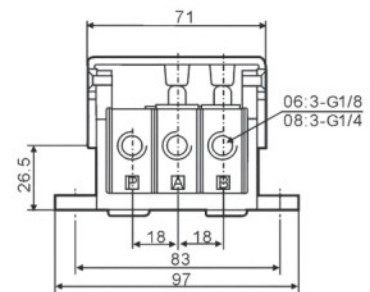
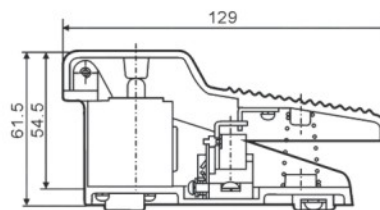
4F210-08LG



4FM210

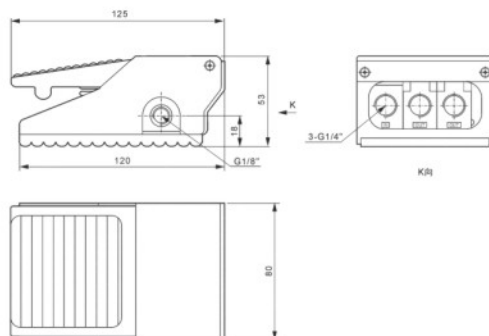


4FM210L



### FV系列尺寸 FV Series Dimensions

FV420



FV320

