



**SDA 系列薄型气缸**  
SDA Series Thin Type Cylinder



订购码  
Ordering code

<b>SDA</b>	<b>20</b> × <b>30</b>	-	<b>S</b>	<b>LB</b>
型号	缸径 Bore	行程 stroke	磁石代号	牙螺型式
SDA: 复动型 SSA: 单动伸出型 STA: 单动引入型 SDAD: 双轴型 <b>Type</b> SDA: Double acting SSA: Single acting extrusion type STA: Single acting drawing-in type SDAD: Double-shaft type			S: 有磁石 空白: 没有磁石 <b>Magnet</b> S: with mangnet Blank: Without mangnet	空白: 基本型(内螺纹) B: 外螺纹 N: 无螺纹 <b>Thread</b> Blank: Female thead B: Male thread N: No thread

规格  
Specifications

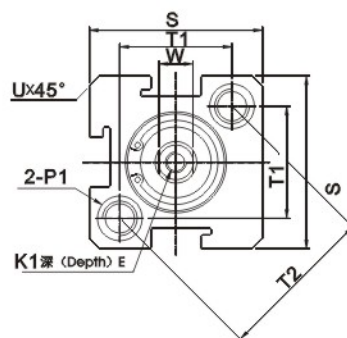
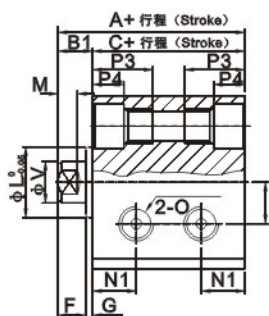
缸径 Bore (mm)		12	16	20	25	32	40	50	63	80	100	
动作方式 Operation		复动型 Double acting										
		单动伸出型 单动引入型 Single acting extrusion type Single acting drawing-in type							-			
工作介质 Fluid		空气 Air										
使用压力范围 Operating pressure	复动型 Double acting	1 ~ 9.0Kgf/cm <sup>2</sup>										
	单动型 Single acting	2.5 ~ 9.0Kgf/cm <sup>2</sup>							-			
耐压试验压力 Proof pressure		10.5Kgf/cm <sup>2</sup>										
工作温度 Operating temperature		0 ~ 70°C										
使用速度范围 Operating piston speed	复动型 Double acting	30 ~ 500mm/s				30 ~ 350mm/s			30 ~ 250mm/s			
	单动型 Single acting	100 ~ 500mm/s							-			
接管口径 Port size		GM5 × 0.8				G1/8'		G1/4'		G3/8'		

行程  
Stroke

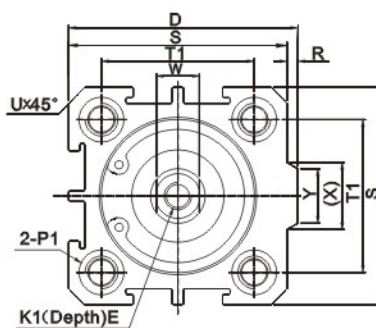
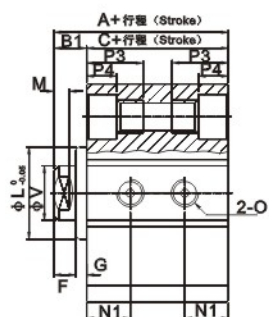
缸径 Bore(mm)		12	16	20	25	32	40	50	63	80	100
复动型 Double acting	不附磁 Without magnet	5 ~ 60mm 每5mm一级 Every 5mm is grouped as one grade	5 ~ 85mm 每5mm一级 Every 5mm is grouped as one grade	5 ~ 90mm 每5mm一级 Every 5mm is grouped as one grade	100 ~ 110mm 每5mm一级 Every 5mm is grouped as one grade	5 ~ 90mm 每5mm一级 Every 5mm is grouped as one grade	5 ~ 90mm 每5mm一级 Every 5mm is grouped as one grade	100 ~ 130mm 每5mm一级 Every 5mm is grouped as one grade			
	附磁型 With magnet	5 ~ 50mm 每5mm一级 Every 5mm is grouped as one grade	5 ~ 75mm 每5mm一级 Every 5mm is grouped as one grade	5 ~ 90mm 每5mm一级 Every 5mm is grouped as one grade	100mm	5 ~ 90mm 每5mm一级 Every 5mm is grouped as one grade	5 ~ 90mm 每5mm一级 Every 5mm is grouped as one grade	100 ~ 120mm 每5mm一级 Every 5mm is grouped as one grade			
单动型 Single acting	不附磁 Without magnet	5 ~ 30mm 每5mm一级 Every 5mm is grouped as one grade				5 ~ 30mm 每5mm一级 Every 5mm is grouped as one grade		-			
	附磁型 With magnet	5 ~ 30mm 每5mm一级 Every 5mm is grouped as one grade				5 ~ 30mm 每5mm一级 Every 5mm is grouped as one grade		-			
最大行程 / Max.stroke		60mm		100mm		120mm			130mm		

# 尺寸 Dimensions

SDA12-16



SDA20-100



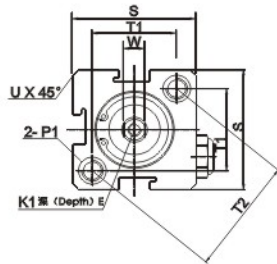
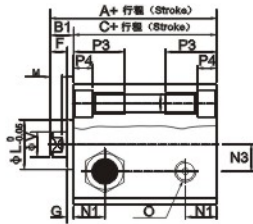
型号 model 缸径/符号 Bore/Symbol	标准型 Standard type			附磁型 With magnet			D	E	F	G	K1	L	M	N1	N3	O	
	A	B1	C	A	B1	C											
12	22	5	17	32	5	27	-	6	4	1	M3X0.5	10.2	2.8	6.3	6	M5X0.8	
16	24	5.5	18.5	34	5.5	28.5	-	6	4	1.5	M3X0.5	11	2.8	7.3	6.5	M5X0.8	
20	25	5.5	19.5	35	5.5	29.5	36	8	4	1.5	M4X0.7	16	2.8	7.5	-	M5X0.8	
25	27	6	21	37	6	31	42	10	4	2	M5X0.8	17	2.8	8	-	M5X0.8	
32	31.5	7	24.5	41.5	7	34.5	50	12	4	3	M6X1	22	2.8	9	-	G1/8	
40	33	7	26	43	7	36	58.5	12	4	3	M8X1.25	28	2.8	10	-	G1/8	
50	37	9	28	47	9	38	71.5	15	5	4	M10X1.5	38	2.8	10.5	-	G1/4	
63	41	9	32	51	9	42	84.5	15	5	4	M10X1.5	40	2.8	11.8	-	G1/4	
80	52	11	41	62	11	51	104	15	6	5	M14X1.5	45	4	14.5	-	G3/8	
100	53	12	41	63	12	51	124	18	7	5	M14X1.5	45	4	20.5	-	G3/8	
缸径/符号 Bore/Symbol	P1						P3	P4	R	S	T1	T2	U	V	W	X	Y
12	双边Double side: Φ6.5 牙CogM5 × 0.8 通径Through hot: Φ4.2						12	4.5	-	25	16.2	23	16	6	5	-	-
16	双边Double side: Φ6.5牙 / CogM5 × 0.8通径 Through hot: Φ4.2						12	4.5	-	29	19.8	28	16	6	5	-	-
20	双边Double side: Φ6.5牙 / CogM5 × 0.8通径 Through hot: Φ4.2						14	4.5	2	34	24	-	21	8	6	11.3	10
25	双边Double side: Φ8.2牙 / CogM6 × 1.0通径 Through hot: Φ4.6						15	5.5	2	40	28	-	3.1	10	8	12	10
32	双边Double side: Φ8.2牙 / CogM6 × 1.0通径 Through hot: Φ4.6						16	5.5	6	44	34	-	2.15	12	10	18.3	15
40	双边Double side: Φ10牙 / CogM8 × 1.25通径 Through hot: Φ6.5						20	7.5	6.5	52	40	-	2.25	16	14	21.3	16
50	双边Double side: Φ11牙 / CogM5 × 1.25通径 Through hot: Φ6.5						25	8.5	9.5	62	48	-	4.14	20	17	30	20
63	双边Double side: Φ11牙 / CogM5 × 1.25通径 Through hot: Φ6.5						25	8.5	9.5	75	60	-	3.15	20	17	28.7	20
80	双边Double side: Φ14牙 / CogM5 × 1.75通径 Through hot: Φ9.2						25	10.5	10	94	74	-	3.65	25	22	36	26
100	双边Double side: Φ17.5牙 / CogM5 × 1.75通径 Through hot: Φ11.3						30	13	10	114	90	-	3.65	32	22	35	26

# SDA 系列薄型气缸

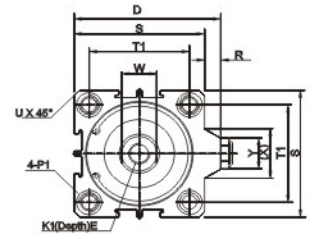
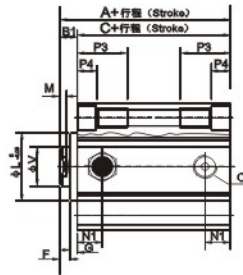
## SDA Series Thin Type Cylinder

### 尺寸 Dimensions

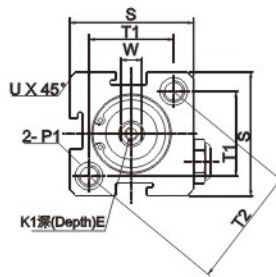
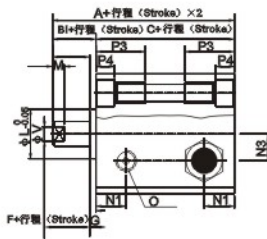
SSA12-16



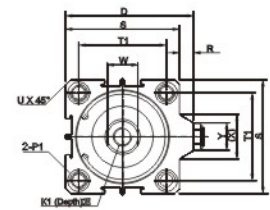
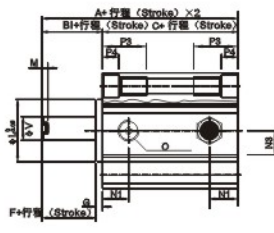
SSA20-40



STA12-16



STA20-40



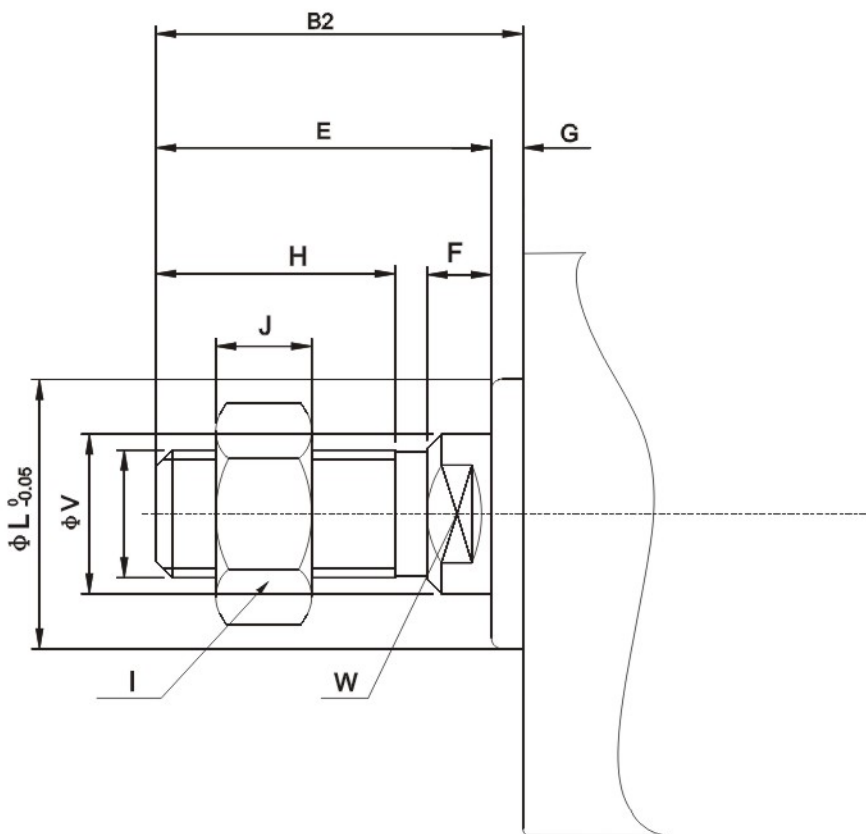
型号 model	标准型 Standard type				附磁型 With magnet				D	E	F	G	K1	L	M	N1	N3			
	A		B1	C		A		B1										C		
缸径/符号 Bore/Symbol 行程/Stroke	≤10	>10		≤10	>10	≤10	>10		≤10	>10	≤10	>10								
12	32	42	5	27	37	42	52	5	37	47	-	6	4	1	M3×0.5	10.2	2.8	6.3	6	
16	34	44	5.5	28.5	38.5	44	54	5.5	38.5	48.5	-	6	4	1.5	M3×0.5	11	2.8	7.6	6.5	
20	35	45	5.5	29.5	39.5	45	55	5.5	39.5	49.5	36	8	4	1.5	M4×0.7	16	2.8	7.5	-	
25	37	47	6	34	41	47	57	6	41	51	42	10	4	2	M5×0.8	17	2.8	8	-	
32	41.5	51.5	7	34.5	44.5	51.5	61.5	7	44.5	54.5	50	12	4	3	M6×1	22	2.8	9	-	
40	43	53	7	36	46	53	63	7	46	56	58.5	12	4	3	M8×1.25	28	2.8	10	-	
缸径/符号 Bore/Symbol	O	P1								P3	P4	R	S	T1	T2	U	V	W	X	Y
12	M5×08	双边Double Side: Φ6.5 牙Cog:M5×0.8 通过Through hot: Φ4.2								12	4.5	-	25	16.2	23	16	6	5	-	-
16	M5×08	双边Double Side: Φ6.5 牙Cog:M5×0.8 通过Through hot: Φ4.2								12	4.5	-	29	19.8	28	1.6	6	5	-	-
20	M5×08	双边Double Side: Φ6.5 牙Cog:M5×0.8 通过Through hot: Φ4.2								14	4.5	2	34	24	-	21	8	6	11.3	10
25	M5×08	双边Double Side: Φ8.2 牙Cog:M6×1.0 通过Through hot: Φ4.6								15	5.5	2	40	28	-	3.1	10	8	12	10
32	G1/8	双边Double Side: Φ8.2 牙Cog:M6×1.0 通过Through hot: Φ4.6								16	5.5	6	44	34	-	2.15	12	10	18.3	15
40	G1/8	双边Double Side: Φ10 牙Cog:M8×1.25 通过Through hot: Φ6.5								20	7.5	6.5	52	40	-	2.25	16	14	21.3	16

# SDA 系列薄型气缸

## SDA Series Thin Type Cylinder

### 尺寸 Dimensions

SDA, SSA, STA



缸径/符号 Bore/Symbol	B2	E	F	G	H	I	J	K2	L	M	V	W
12	17	16	4	1	10	8	4	M5×0.8	10.2	2.8	6	5
16	17.5	16	4	1.6	10	8	4	M5×0.8	11	2.8	6	5
20	20.5	19	4	1.5	13	10	5	M6×1.0	16	2.8	8	6
25	23	21	4	2	15	12	6	M10×1.25	17	2.8	10	8
32	25	22	4	3	15	17	6	M14×1.5	22	2.8	12	10
40	35	32	4	3	25	19	8	M18×1.5	28	2.8	16	14
50	37	33	5	4	25	27	11	M18×1.5	39	2.8	20	17
63	37	33	5	4	25	27	11	M22×1.5	40	2.8	20	17
80	44	39	6	5	30	32	13	M22×1.5	45	4	25	22
100	50	45	7	5	35	36	13	M26×1.5	45	4	32	27